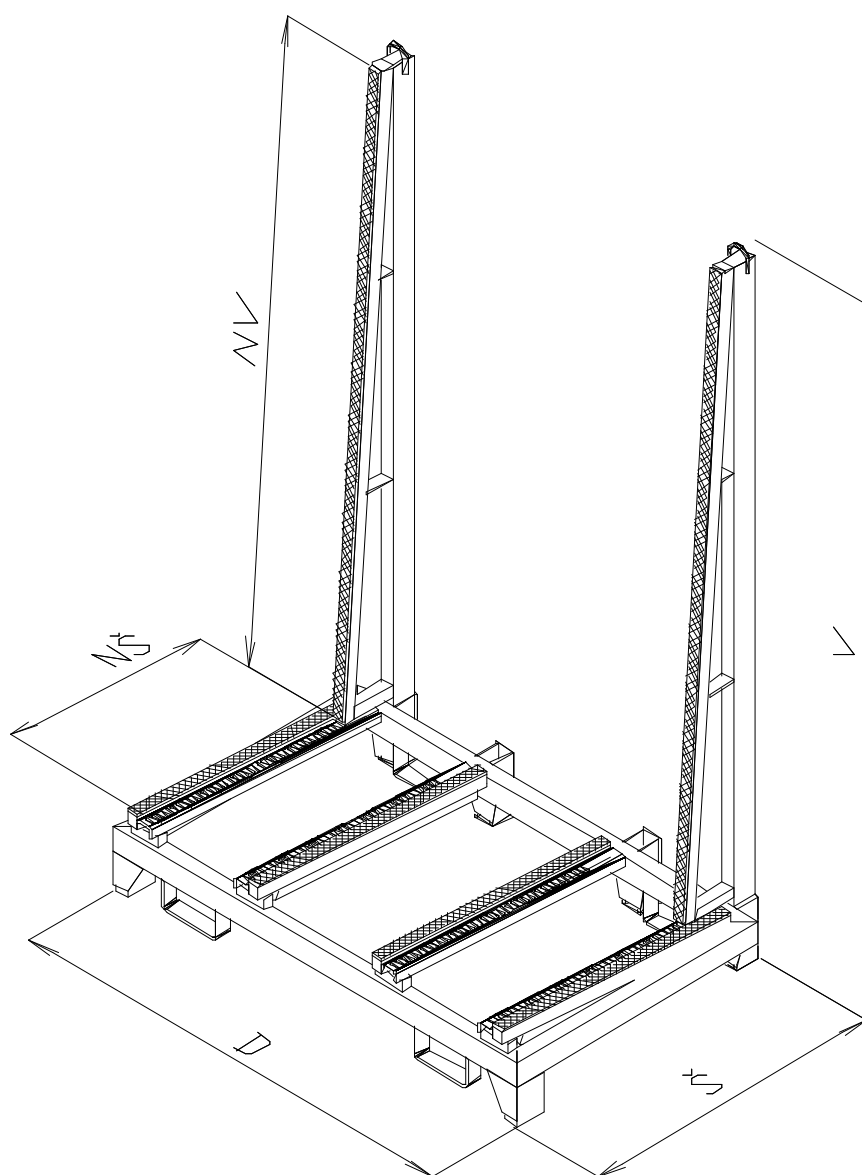


Transport rack for window-/glass elements LR 25.1

One-sided detachable type of rack.

Subrack	With pillarets
Way of gripping	Attachment bars with clamping lock
Crane suspension	none
Lifting rims for forklift stacker	With spacing 750 mm
Recommended number of atch.bars due to length of rack [pcs]	2

D - length [mm]	1200
Š - width [mm]	800
NV - loading high [mm]	1600
V - total high [mm]	1820
NŠ - loading width [mm]	570
Load capacity [kg]	1500
Weigh of paint finishing [kg]	56



Ing.Milan Dohnal
 Vývoz 5423
 760 01 Zlín
 Česká republika

Telefon: + 420 602566704
 + 420 603540331

e-mail: info@forset.cz