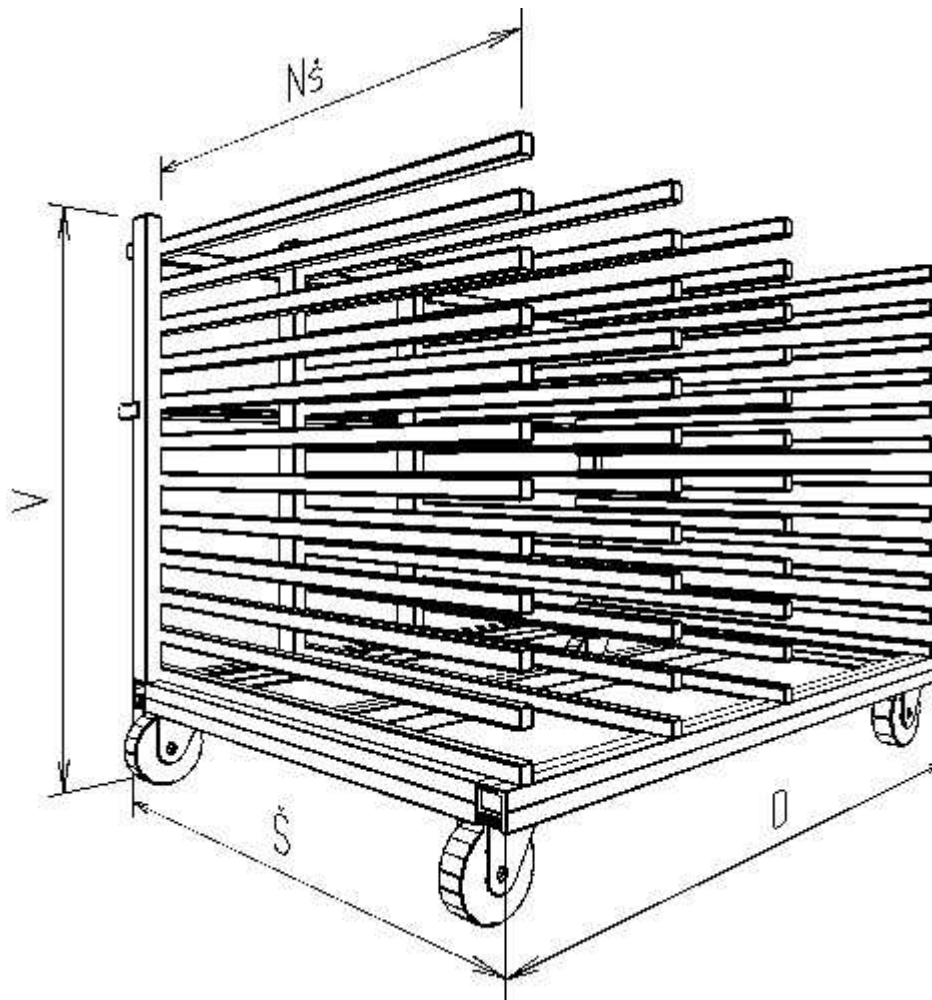


## Transport carriage for glass DS 66.3

Mobile carriage for horizontal storage of glass sheets. Drying of glass panes after painting, printing, sand – illuminating or enameling .

Subrack	Mobile : 2 slewing 2 fixed wheels
Number of storage places	12
D - length [ mm ]	2000
Š - width [ mm ]	1500
Nš - loading width [ mm ]	1400

V - total high [ mm ]	1600
distance between storage places [ mm ]	64
Load capacity [ kg ]	1500
Weigh of painted finishing [ kg ]	370



Ing.Milan Dohnal  
Vývoz 5423  
760 01 Zlín  
Česká republika

Telefon: + 420 602566704  
+ 420 603540331

e-mail: info@forset.cz