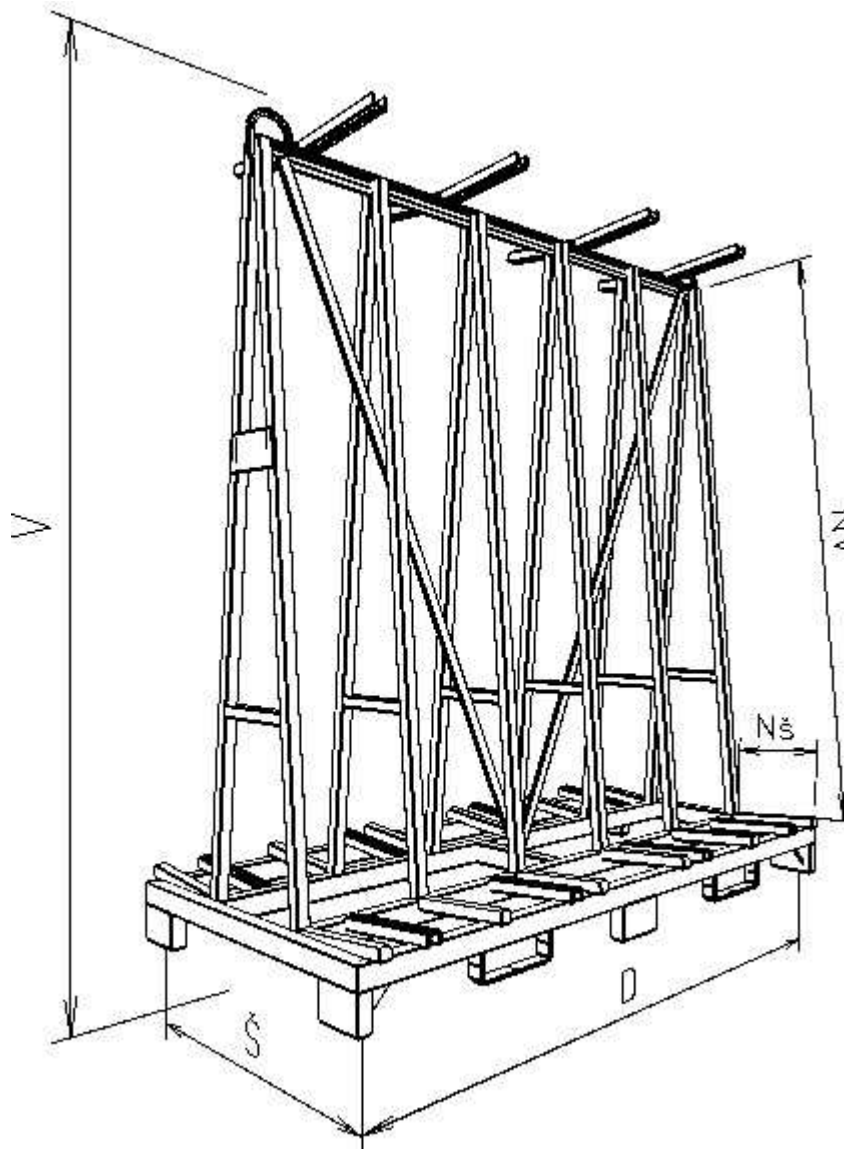


Transport/storage rack for flat glass AV 38.22

Double-sided rack with vertical compounded supporting elements

Subrack	With pillarets
Way of glass gripping	Attachment bars with spring
Crane suspension	2 ring lugs
Lifting rims for forklift stacker	With spacing 750 mm
Recommended number of atch.bars due to length of rack [pcs]	6
D - length [mm]	1800
Š - width [mm]	1000

NV - loading high [mm]	1850
V - total high [mm]	2050
NŠ - loading width [mm]	300
Load capacity [kg]	1500
Weigh of paint finishing [kg]	130



Ing.Milan Dohnal
 Vývoz 5423
 760 01 Zlín
 Česká republika

Telefon: + 420 602566704
 + 420 603540331

e-mail: info@forset.cz