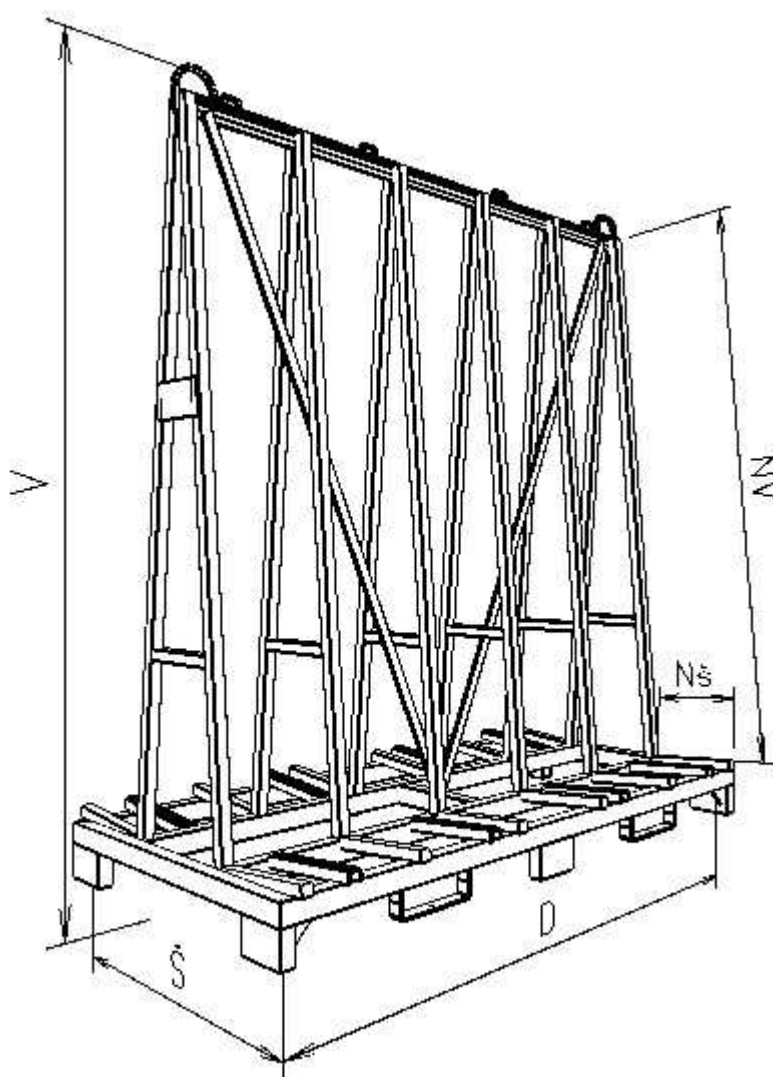


## Transport rack for flat glass AV 38.2

Double- sided rack with vertical compounded supporting elements.

<b>Subrack</b>	With pillarets
<b>Way of glass gripping</b>	Attachment bars with clamping lock
<b>Crane suspension</b>	2 ring lugs
<b>Lifting rims for forklift stacker</b>	With spacing 750 mm
<b>Recommended number of atch.bars due to length of rack [ pcs ]</b>	6
<b>D - length [ mm ]</b>	1800
<b>Š - width [ mm ]</b>	1000

<b>NV - loading high [ mm ]</b>	1850
<b>V - total high [ mm ]</b>	2050
<b>NŠ - loading width [ mm ]</b>	300
<b>Load capacity [ kg ]</b>	1500
<b>Weigh of paint finishing [ kg ]</b>	125



Ing.Milan Dohnal  
 Vývoz 5423  
 760 01 Zlín  
 Česká republika

Telefon: + 420 602566704  
 + 420 603540331

e-mail: info@forset.cz