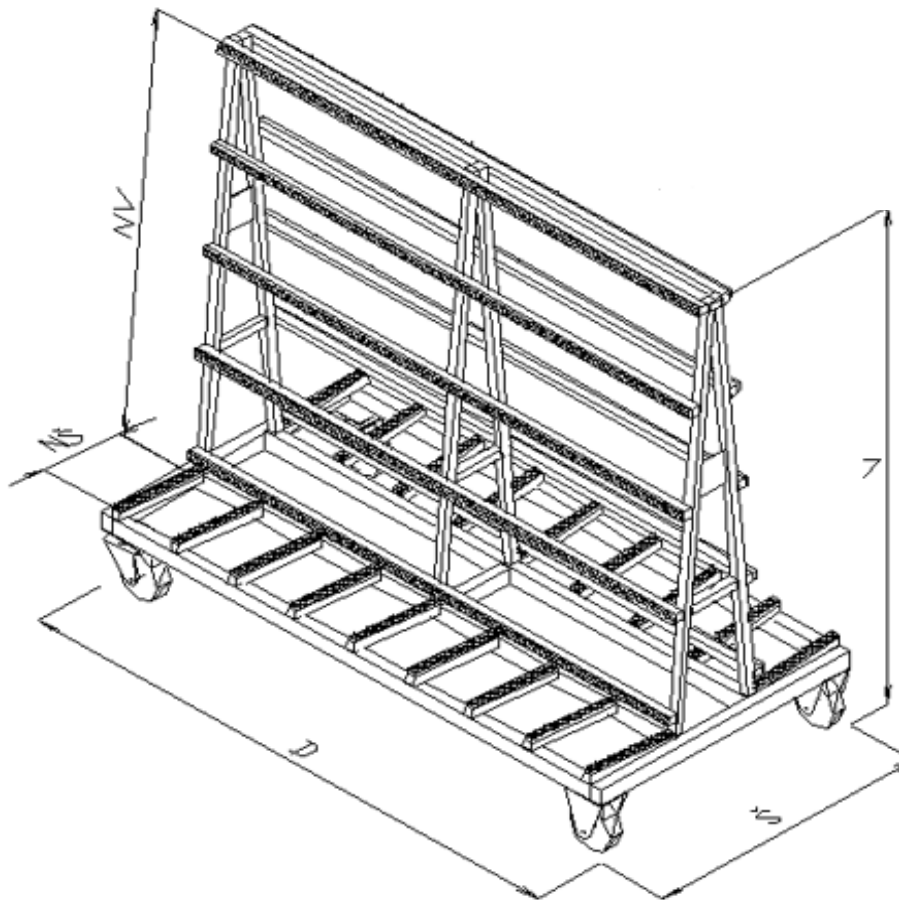


Transport rack for flat glass AH 6.2

Double-sided mobile rack with wheels and horizontal compounded supporting elements.

Subrack	Mobile : 2 slewing 2 fixed wheels
way of glass gripping	No gripping elements
Crane suspension	No elements for lifting
Lifting rims for forklift stacker	No rims

D - length [mm]	2000
Š - width [mm]	1000
NV - loading high [mm]	1500
V - total high [mm]	1770
NŠ - loading width [mm]	300
Load capacity [kg]	2000
Weigh of paint finishing [kg]	107



Ing. Milan Dohnal
Vývoz 5423
760 01 Zlín
Česká republika

Telefon: + 420 602566704
+ 420 603540331

e-mail: info@forset.cz