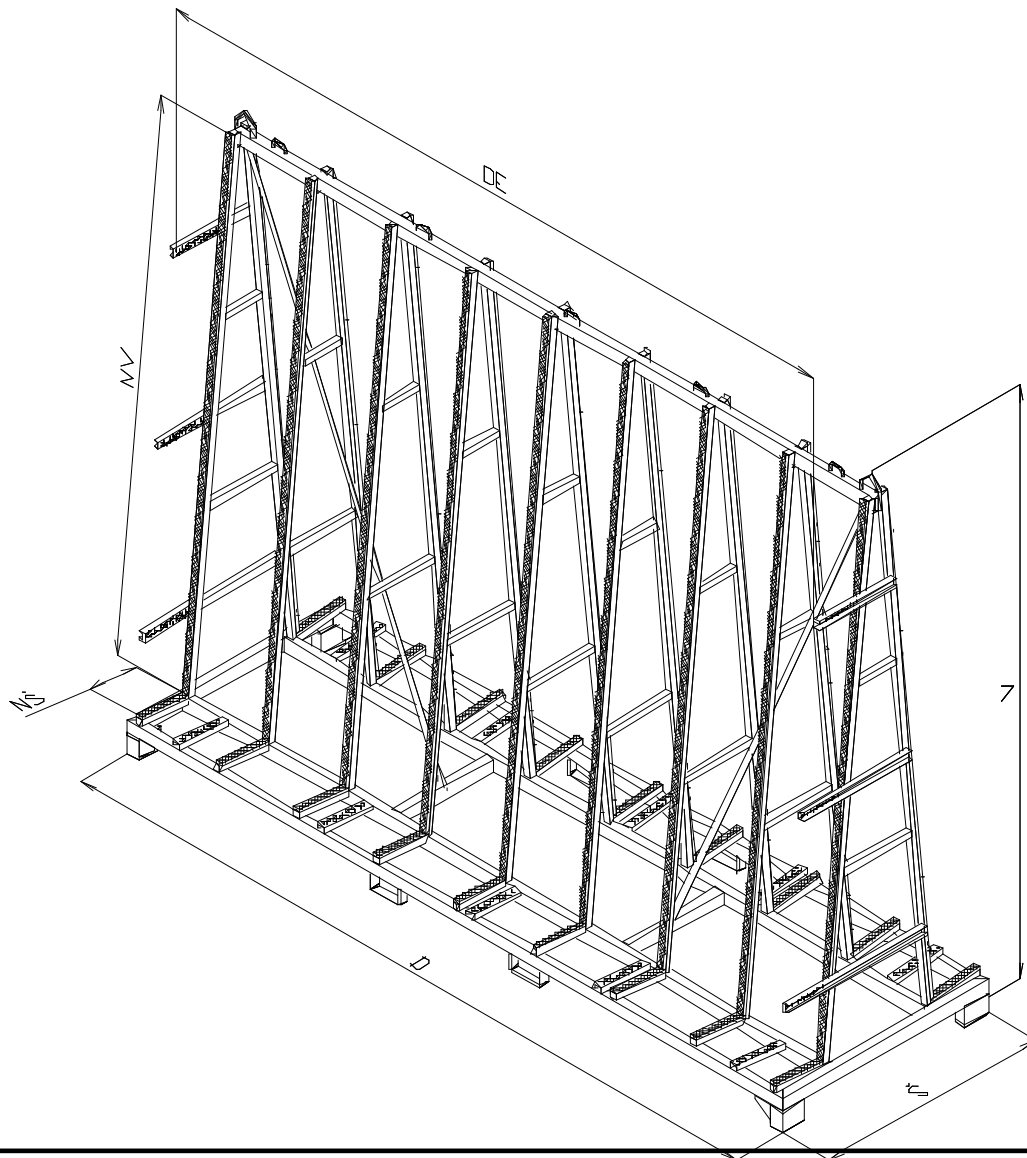


Transport rack for flat glass AE 02.2

Combined type of double-sided rack. On one side for Endcups(packs of glass) and the other side for glass sheets suitable

Subrack	With pillarets
way of glass gripping	Attachment bars : One side:horizontal with spring Other side :vertical with clamping lock
Crane suspension	2 ring lugs
Lifting rims for forklift stacker	With spacing 750 mm
Recommended number of atch.bars due to length of rack [pcs]	3 horizontal bars 10 vertical bars

D – length [mm]	3500
DE – length of endcup [mm]	3400
S - width [mm]	1200
NV – loading high [mm]	2500
V - total high [mm]	2770
NŠ – loading width [mm]	300
Load capacity [kg]	2000
Weigh of paint finishing [kg]	240



Ing.Milan Dohnal
Vývoz 5423
760 01 Zlín
Česká republika

Telefon: + 420 602566704
+ 420 603540331

e-mail: info@forset.cz